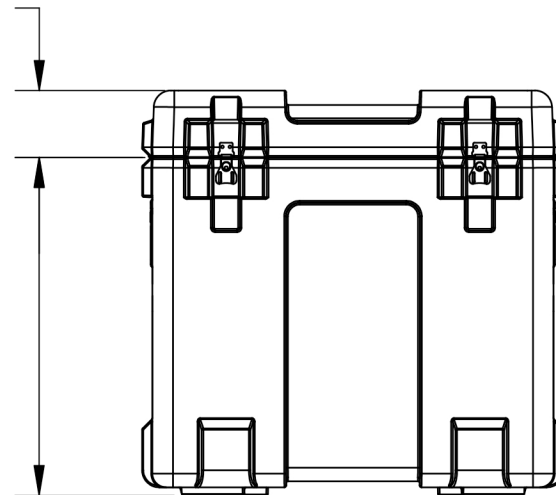
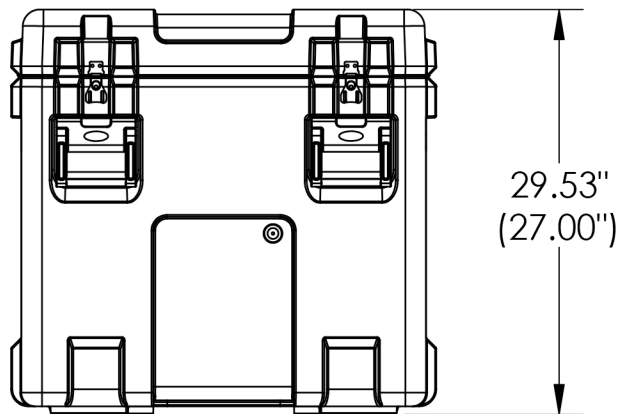


4.88"
(3.63")



24.65"
(23.37")

3R2727-27



NOTE: DIMENSIONS IN (X.XX) ARE ID

434 West Levers Place
Orange, CA 92867
Phone: (714) 637-1252
Fax: (714) 637-0491
<http://www.skbcases.com>

This drawing and all information details are the sole property of SKB Corporation, Orange CA. Any unauthorized use will be punished to the full extent of the law.

Case Series:	Mil-Standard	Dimensions (for reference only)				
		Length	Width	Overall	Base / Lid	
Case part#	3R2727-27"					
		left to right	front to back	height	height	
Weight:	45.7 LBS EMPTY	31.00"	30.75"	29.53"	24.65"-4.88"	
		Interior	27.00"	27.00"	27.00"	
		Exterior	31.00"	30.75"	29.53"	24.65"-4.88"

5

↑

4

3

2

1